

## SEVEN SEGMENT NUMERIC DISPLAY

High Performance GaAlAs/GaAs red LED Dice  
 0.56 inch Character Height  
 High Contrast  
 Wide Viewing Angle  
 Common Anode - MU456FA-RD  
 Common Cathode - MU456FC-RD

## ABSOLUTE MAXIMUM RATINGS

Power Dissipation / Segment	Pd	75mW
Peak Forward Current / Segment	IF/Pulse*	100mA
Continuous Forward Current / Segment	IF/DC	25mA
Reverse Voltage / Segment	VR	5V
Operating Temperature Range	Tstg	-25 to +85°C
Storage Temperature Range	Topr	-25 to +85°C

\* Note : Pulse Width = 1mS, Duty Ratio = 1/10.

## ELECTRO-OPTICAL CHARACTERISTICS (Ta=25°C)

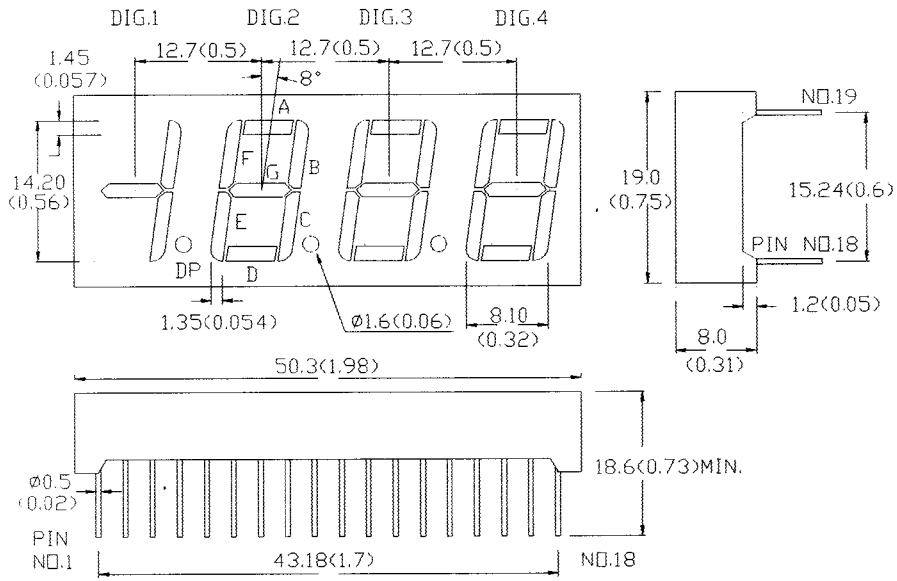
PARAMETER	SYMBOL	MIN	TYP	MAX	UNIT	CONDITIONS
Forward Voltage	VF		1.8	2.4	V	IF=20mA
Luminous Intensity	IV	650	1000		μcd	IF=10mA
Reverse Current Any Bar	IR			100	μA	VR=5V
Segment to Segment				2:1		IF=20mA
Luminous Intensity Ratio						
Peak Wavelength	λp		660		nm	IF=20mA
Spectral Line Half Width	Δλ		20		nm	IF=20mA



MICRO ELECTRONICS LTD.

38, Hung To Road, Microtron Building, Kwun Tong, Kowloon, Hong Kong.  
 Kwun Tong P.O. Box 69477 Hong Kong. Fax No. 2341 0321 Telex:43510 Micro Hx. Tel: 2343 0181-5

MECHANICAL OUTLINE:



CIRCUIT DIAGRAM:

